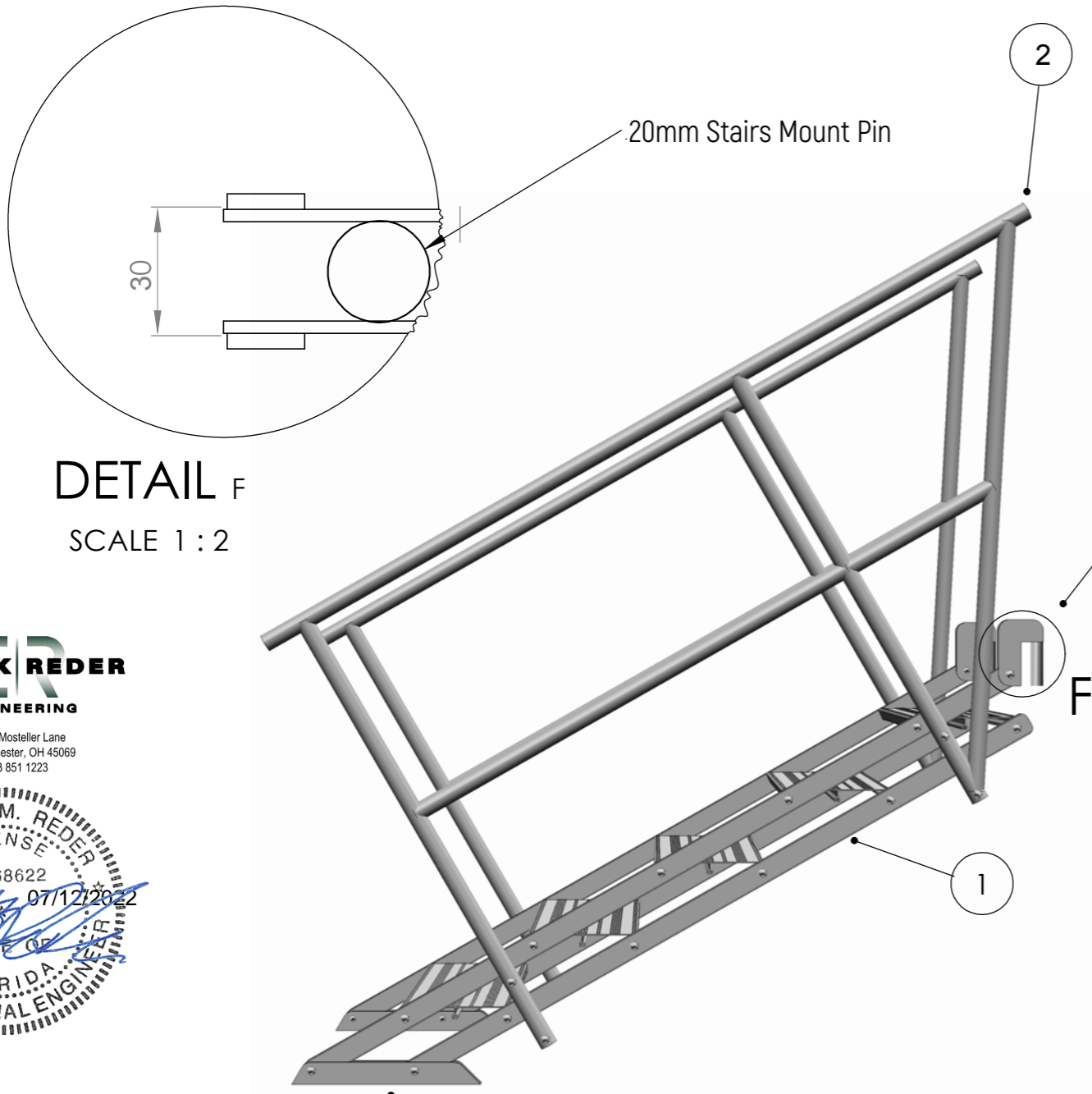


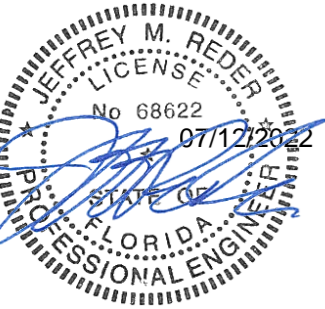
ES exploded technical views
 ST-STAIRS: details & measurements
 Sheet: 1 of 1

MATERIALS: 6060-T6 Aluminum
 BOLTS: M8 / GRADE 8.8 / 1.25 PITCH



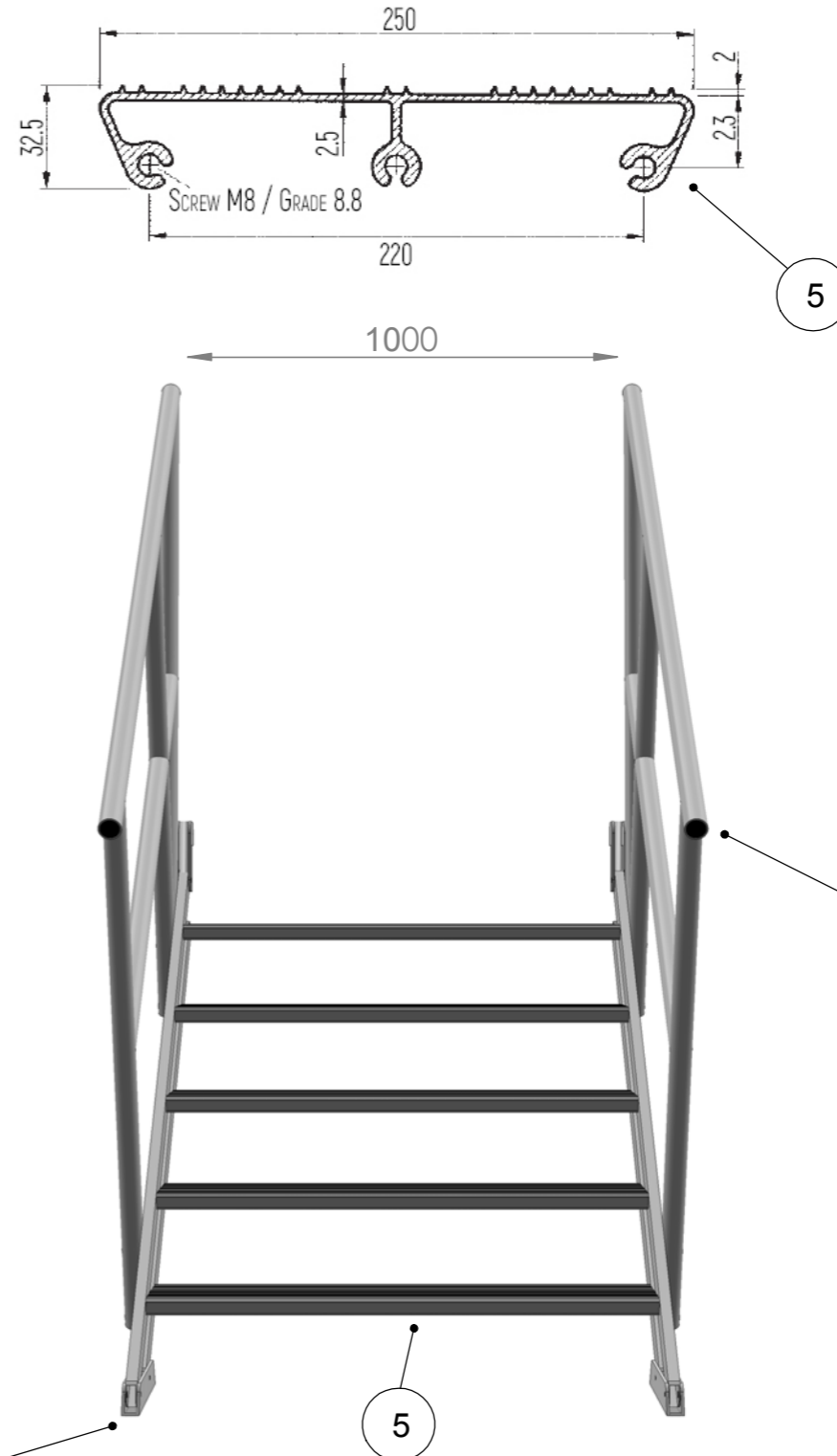
DETAIL F
 SCALE 1 : 2

CLARK REDER
 ENGINEERING
 10091 Mosteller Lane
 West Chester, OH 45069
 513 851 1223



Tread Depth: 250mm
 Tread Width: 900mm
 Tread Height: 180mm
 Rails Height: 990mm

Total Max Load: 600 lbs.
 Tread Max Load: 250 lbs. ea.
 Mounting Pins Max Load: 300 lbs. ea.



ITEM NO.	QTY.	DESCRIPTION
1	4	STAIR RAILS - TUBE, SQUARE 50 X 20 X 2.50
2	2	HAND RAILS - TUBE, ROUND 40 X 3.50
3	2	STAGE MOUNT - 5mm PLATE, 20mm PIN
4	2	SELF LEVELING FEET - CHANNEL 50 X 40 X 5
5	2	STAIR TREADS - EXTRUDED 900 X 250 X 32.50

NOTES:
 • Handrails are not OSHA approved/rated
 • Stair is rated for 600 lbs max / 250 lb point load / 30 PSF area loading

