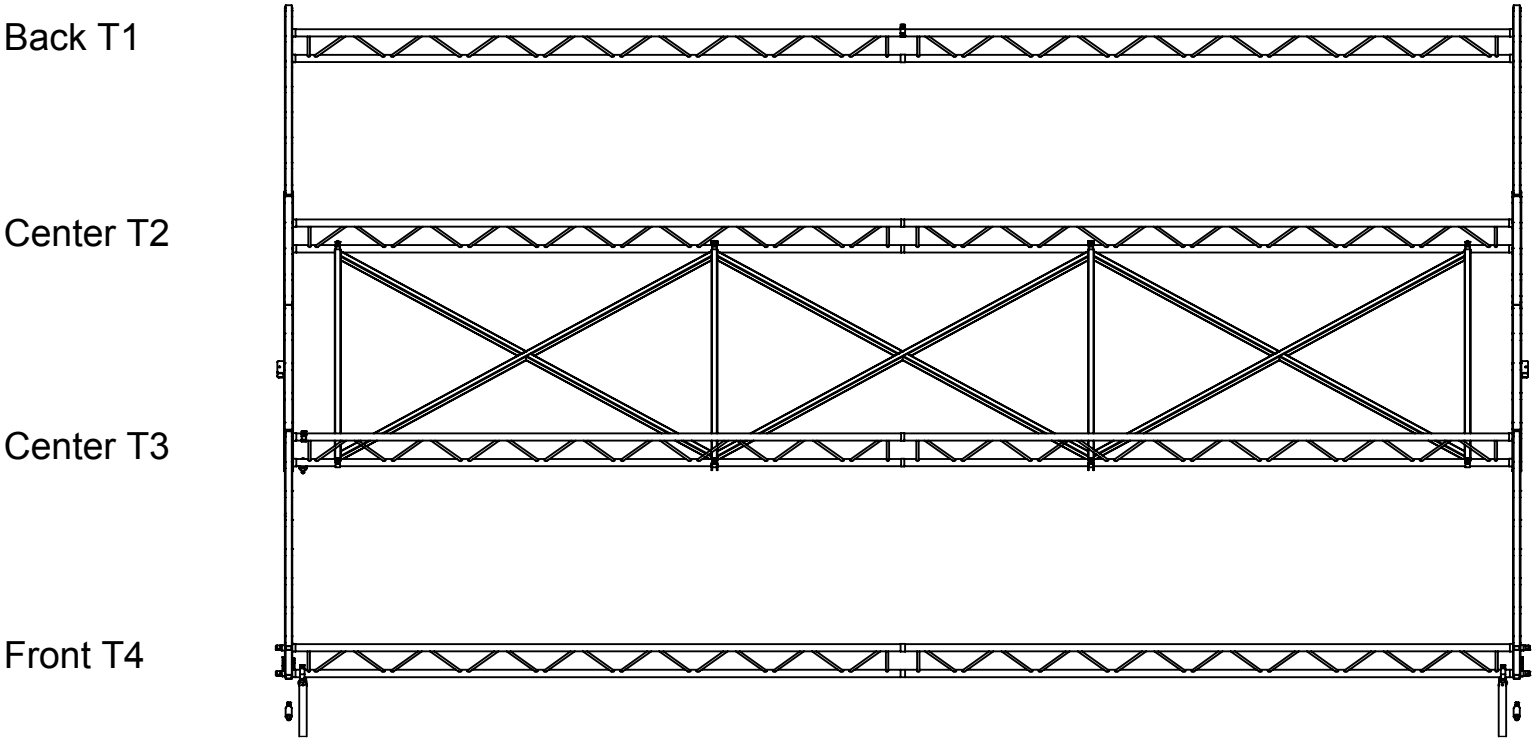


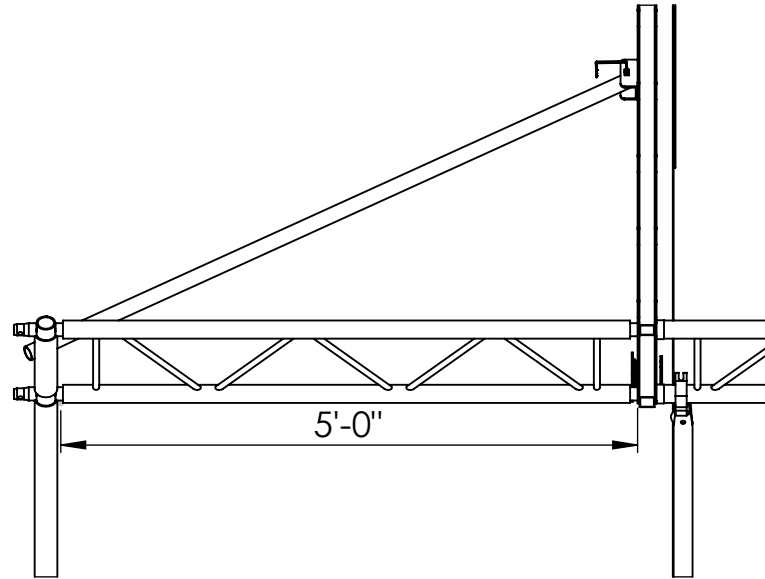
ES-2620 Roof Truss Loads



		(1 point)	2 (points)	3 (points)	4 (points)
	UDL (PLF)	Center Point Load	3rd Point Load	4th Point Load	5th Point Load
Back T1	825 (32)	429	322	215	179
Center T2	825 (32)	429	322	215	179
Center T3	825 (32)	429	322	215	179
Front T4	825 (32)	429	322	215	179



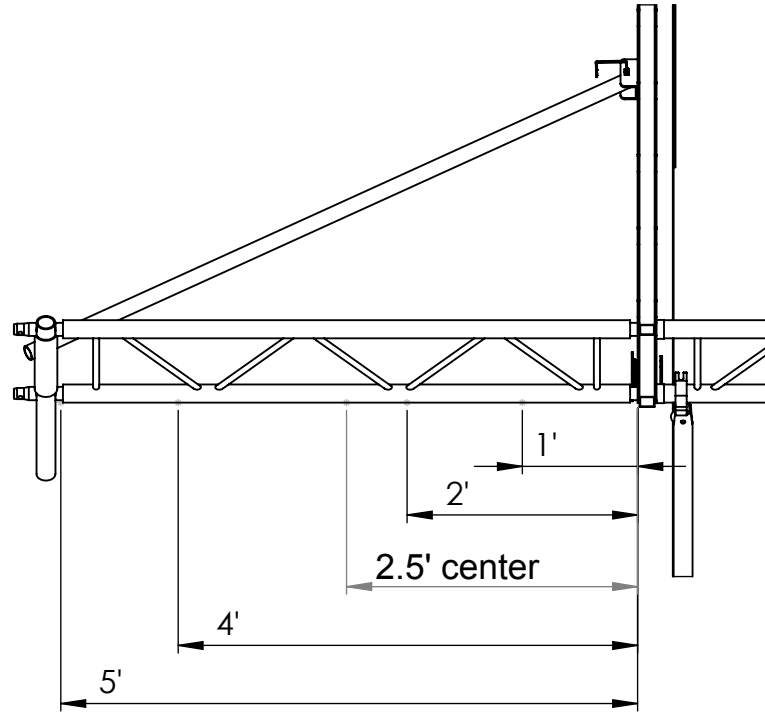
ES-2620 5' PA Wing Load WITH Ground Support Pole/Brace



		(1 point)	2 (points)	3 (points)	4 (points)
	UDL (PLF)	Center Point Load	3rd Point Load	4th Point Load	5th Point Load
5' PA Wing	1000 (200)	750	500	333	200

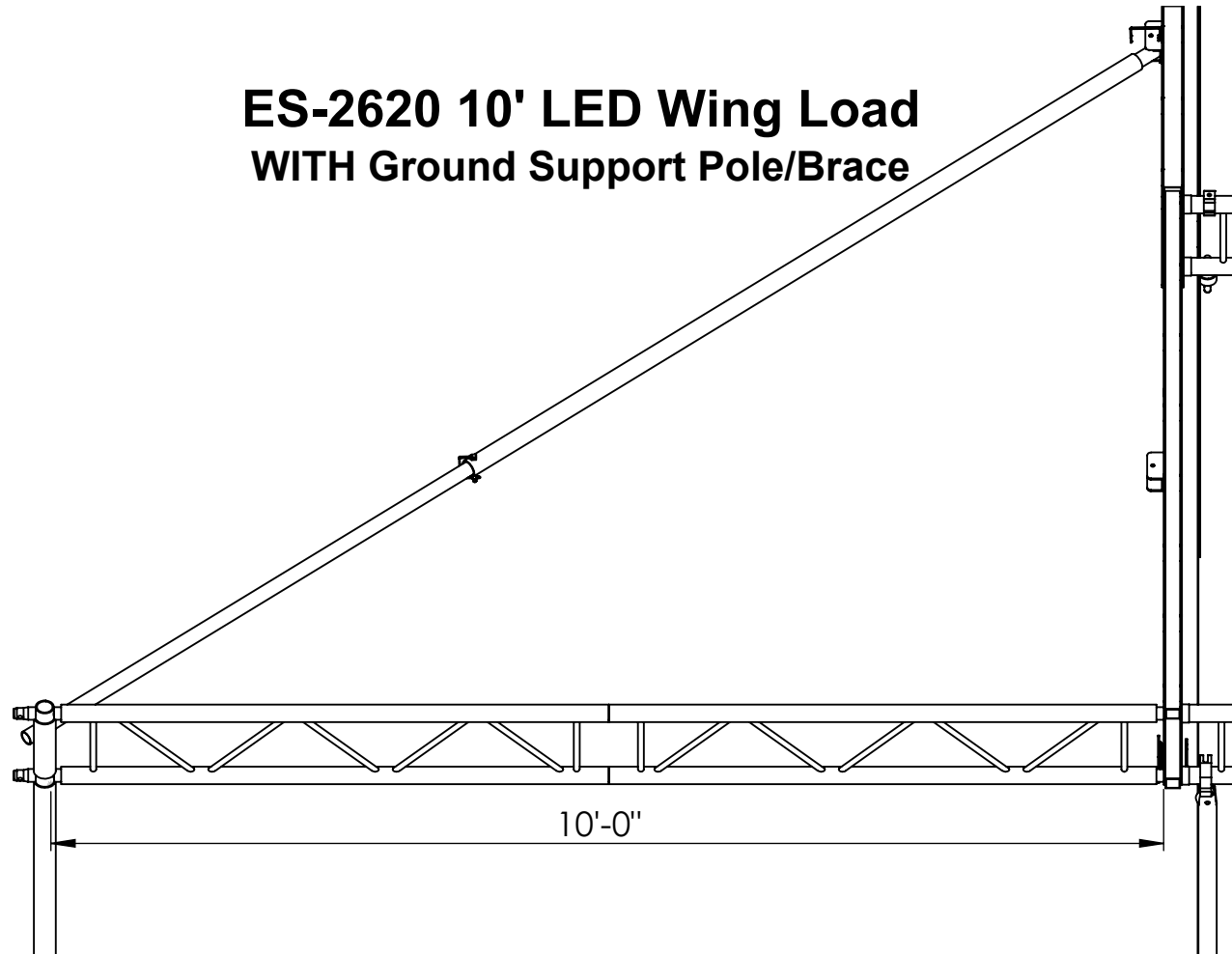


ES-2620 5' PA Cantilever Load NO Ground Support Pole/Brace



	5' Cantilever	4' Cantilever	2.5' Cantilever	2' Cantilever	1' Cantilever
5' PA Wing	250	300	350	375	400

ES-2620 10' LED Wing Load WITH Ground Support Pole/Brace

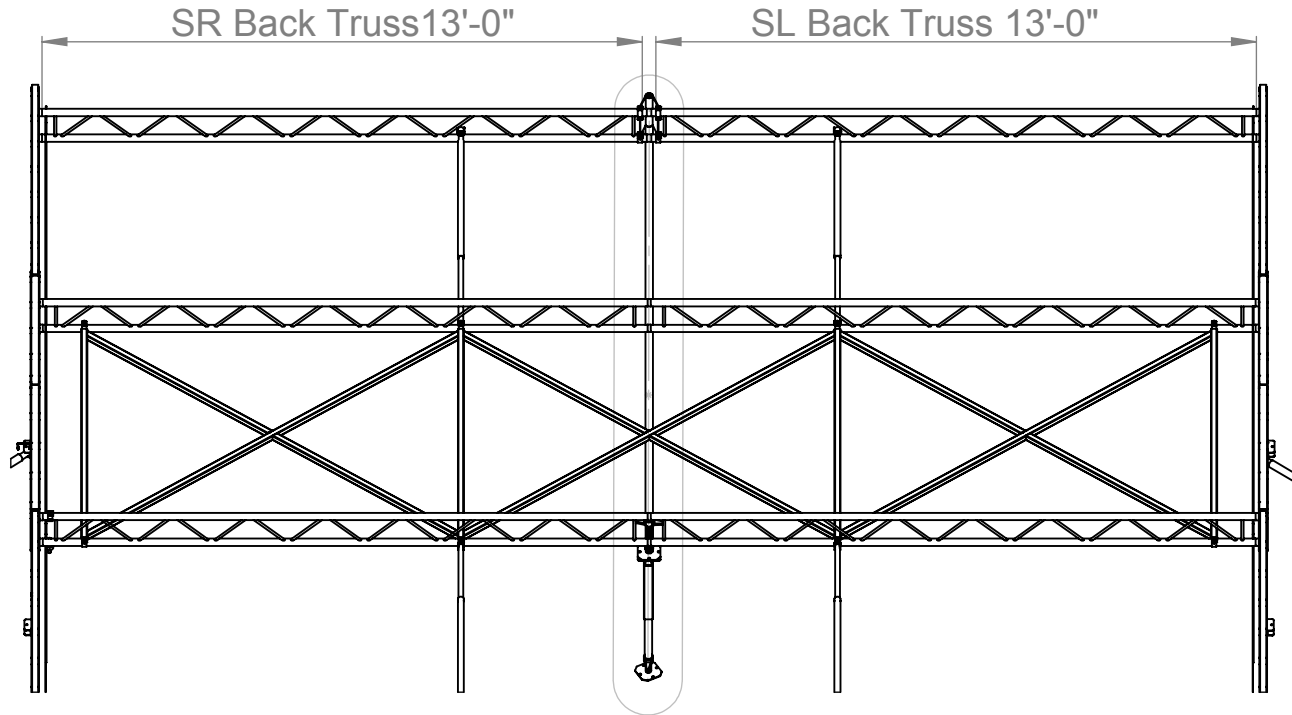


		(1 point)	2 (points)	3 (points)	4 (points)
	UDL (PLF)	Center Point Load	3rd Point Load	4th Point Load	5th Point Load
10' LED Wing	800 (80)	400	300	200	167

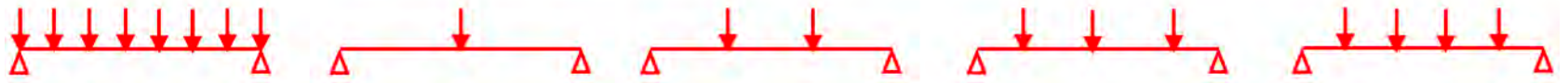


ES-2620 T1 Back Truss Load WITH LED Wall Support Kit

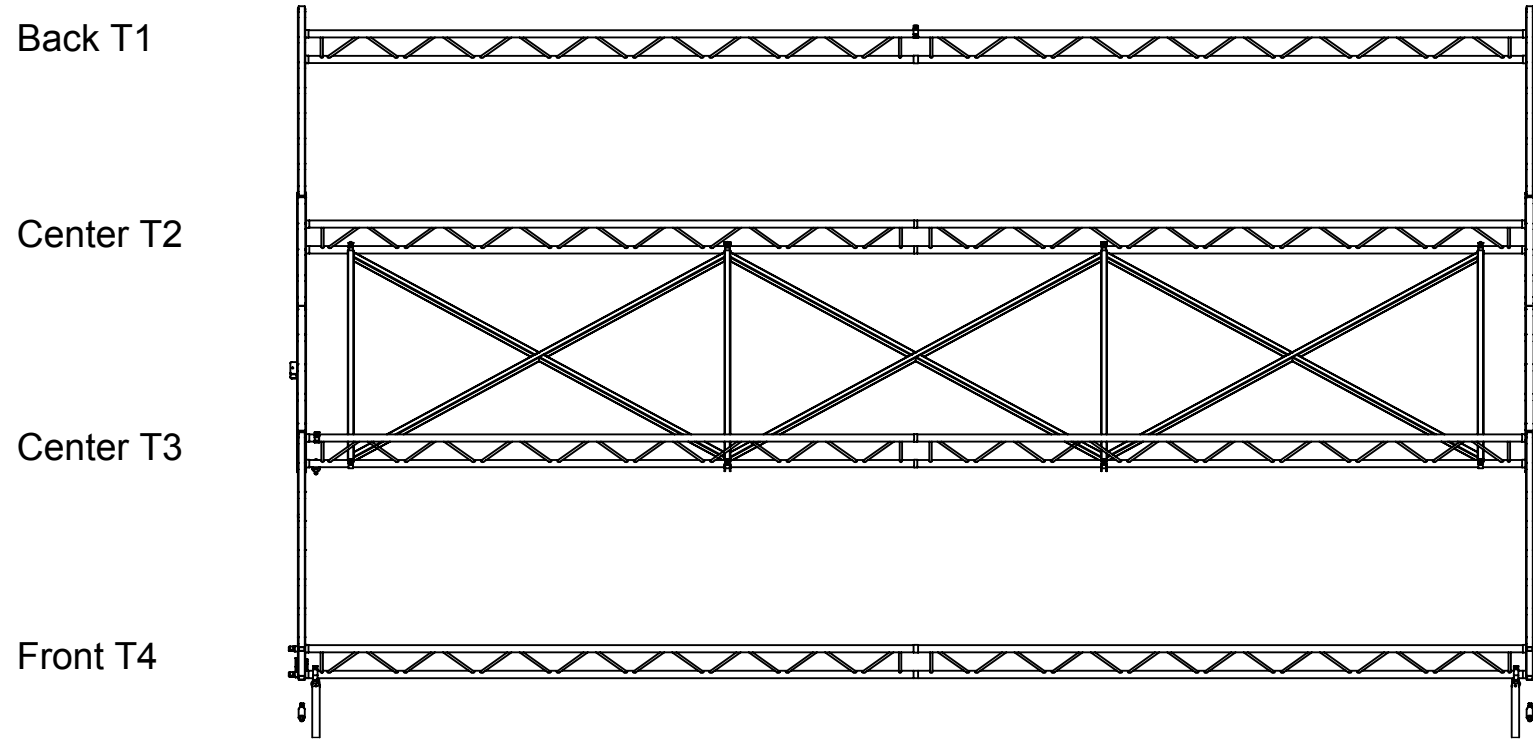
Back T1



		(1 point)	2 (points)	3 (points)	4 (points)
	UDL (PLF)	Center Point Load	3rd Point Load	4th Point Load	5th Point Load
SR back T1 (13')	1000 (76.9)	900	450	300	225
SL back T1 (13')	1000 (76.9)	900	450	300	225
Full length T1 (26')	2000 (76.9)				



ES-2620 Roof Lifting Capacity



NOTES:

- Loads must be balanced between opposing truss pairs:
T1 and T4
T2 and T3
- Loads must be a Uniformed Distributed Load/UDL Per Linear Foot/PLF
- Front T4 load must include any weight on Fly Bay Kit if used

	UDL (PLF)
Back T1	400
Center T2	600
Center T3	600
Front T4	400
MAX TOTAL	2000